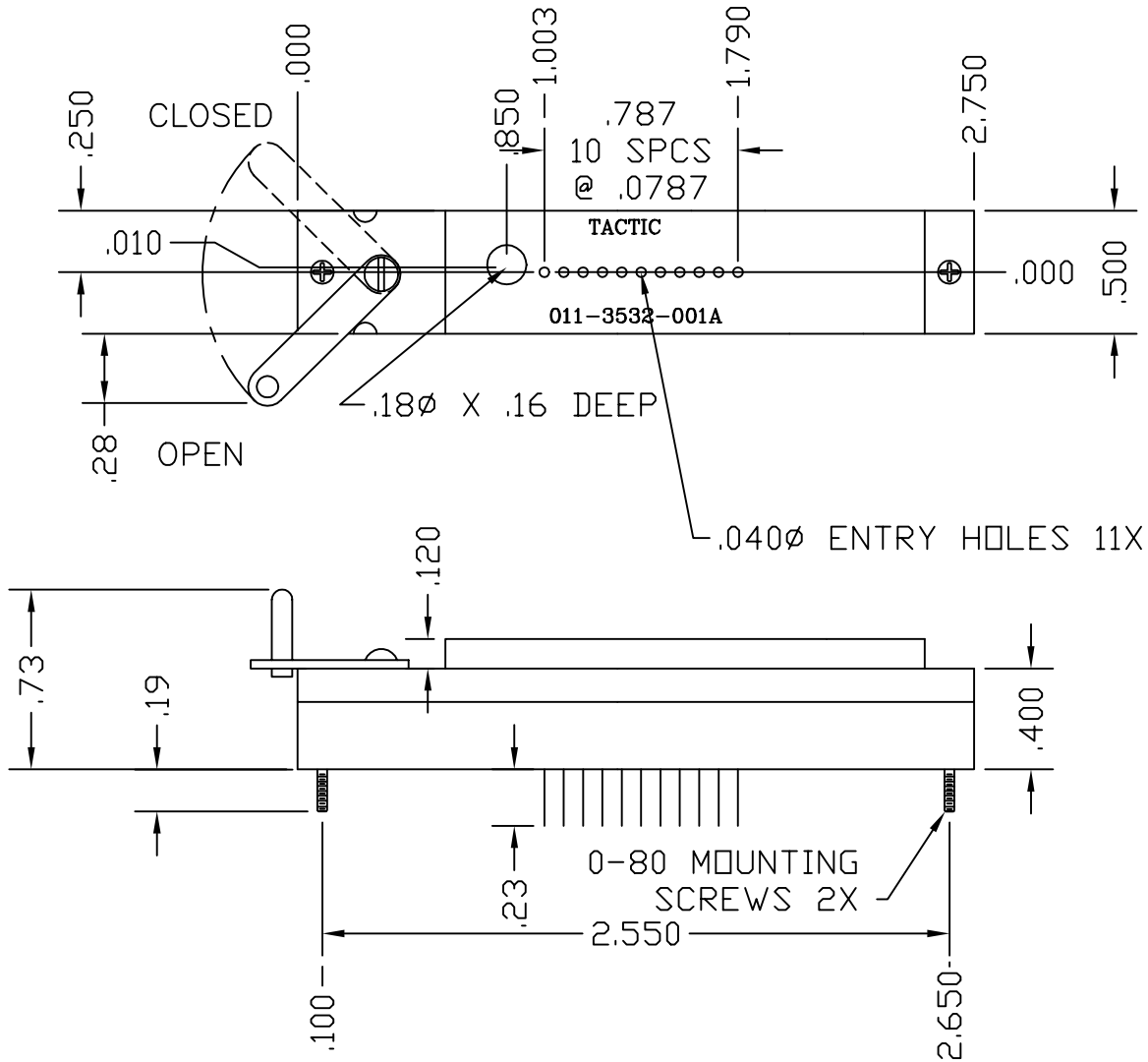




3532 Series ZIF Socket 011-3532-001A REV B



REV B: .010 was .030

Max. working area: .40" x 1.50"
 Lead length: .190" min. x .240" max.
 Lead size accepted: .021 square

Physical

Insulation material: Glass Reinforced; Polysulfone
 Flammability: UL 94V-0
 Color: Green

Contact (.23" lg x .010" x .018")
 Material: Beryllium Copper
 Plating: 30μ (.76μm) Gold-MIL-G-45204
 Type II, Grade C over 50μ (1.3μm)
 Sulfamate Nickel per QQ-N-290A

Electrical

Current Rating: 1 Amp
 Insulation Resistance: >1x10⁹Ω at 500Vdc
 Withstanding Voltage: 1000 Vrms at Sea Level

Environmental

Temperature Rating Operational: -67°F(-55°C) to +302°F(+150°C)

Consult factory or your local TMC Distributor for design and pricing.

Phone: 1-800-955-4707

FAX: 1-972-867-6669