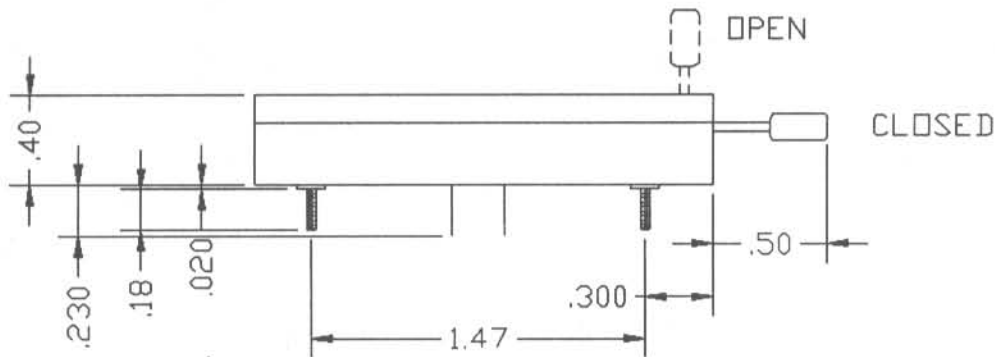
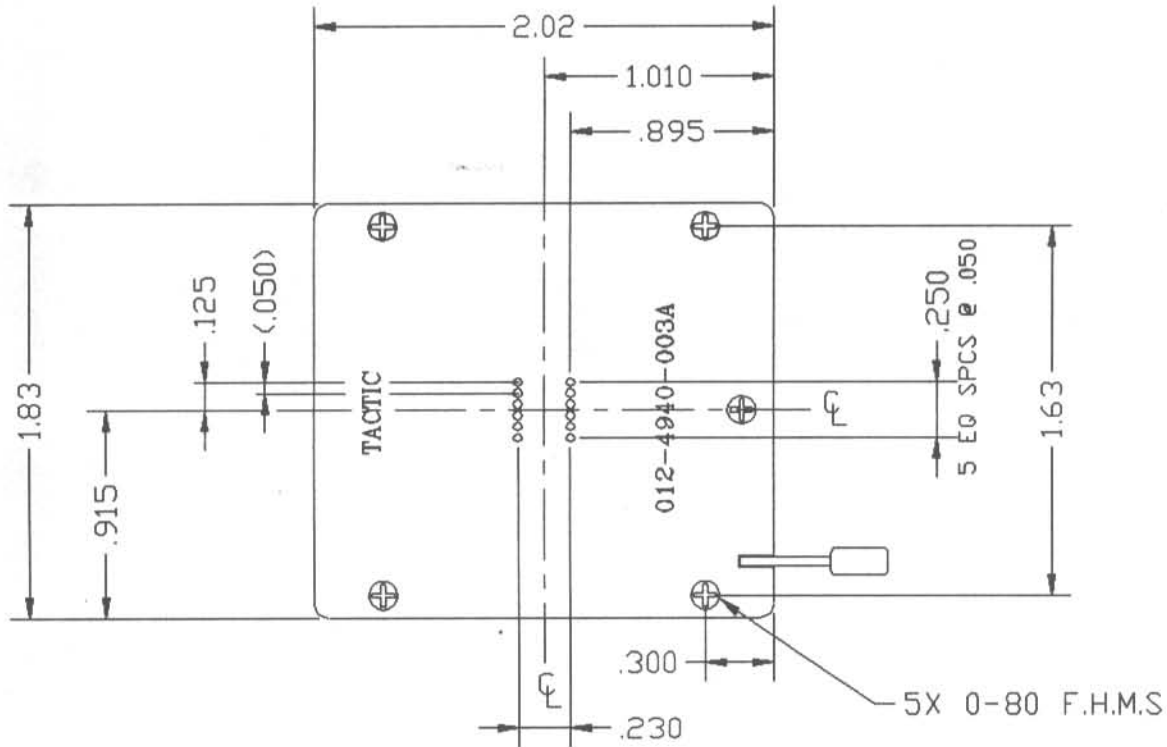


4940 Series 012-4940-003A



Physical	Insulation material: Glass Reinforced; Polysulfone	Max. working area: 1.3" x 1.1"
	Flammability: UL 94V-0	Min. lead length: 1.6 mm
	Color: Green	Lead size accepted: .43 mm
		Contact (.230" long x .010" x .018")
		Material: Beryllium Copper
		Plating: 30 μ " (.76 μ m) Gold-MIL-G-45204
		Type II, Grade C over 50 μ " (1.3 μ m)
		Sulfamate Nickel per QQ-N-290A
Electrical	Current Rating: 1 Amp	
	Insulation Resistance: >1x10 ⁹ Ω at 500Vdc	
	Withstanding Voltage: 1000 Vrms at Sea Level	
Environmental	Temperature Rating Operational: -67°F (-55°C) to +302°F (+150°C)	
<i>Consult factory or your local TMC Distributor for design and pricing.</i>		
<i>Phone: 1-800-955-4707</i>		