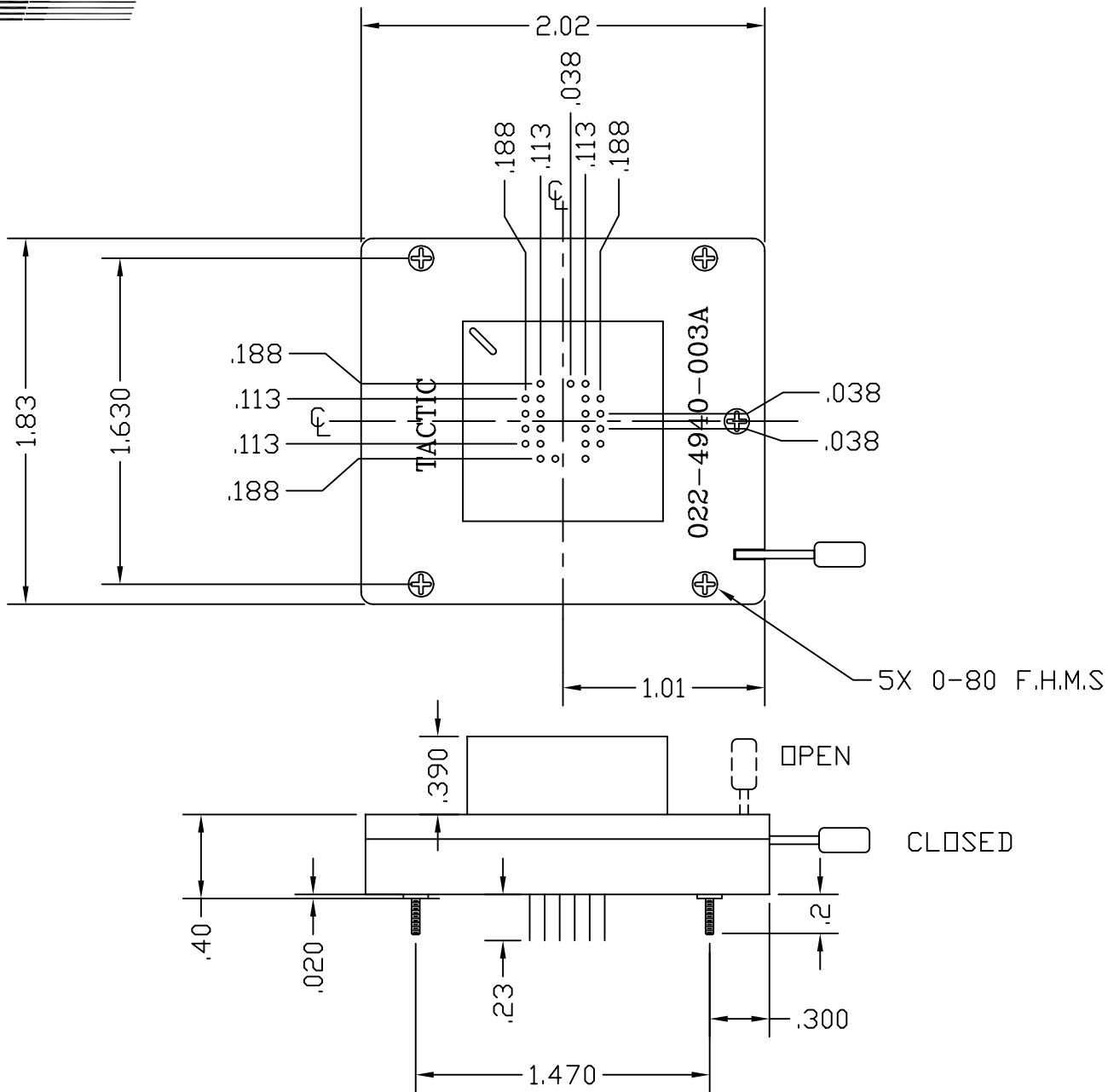




4940 Series 022-4940-003A



Physical Insulation material: Glass Reinforced; Polysulfone
 Flammability: UL 94V-□
 Color: Green

Contact Tail: .23 lg x .010" x .018"
 Material: Beryllium Copper
 Plating: 30μ"(.76μm)Gold-MIL-G-45204
 Type II, Grade C over 50μ" (1.3μm)
 Sulfamate Nickel per QQ-N-290A

Electrical Current Rating: 1 Amp
 Insulation Resistance: >1x10⁹Ω at 500Vdc
 Withstanding Voltage: 1000 Vrms at Sea Level

Environmental Temperature Rating Operational: -67°F(-55°C) to +302°F(+150°C)
 Consult factory or your local Tactic Distributor for design and pricing.
 Phone: 1-800-955-4707 FAX: 1-972-867-6669