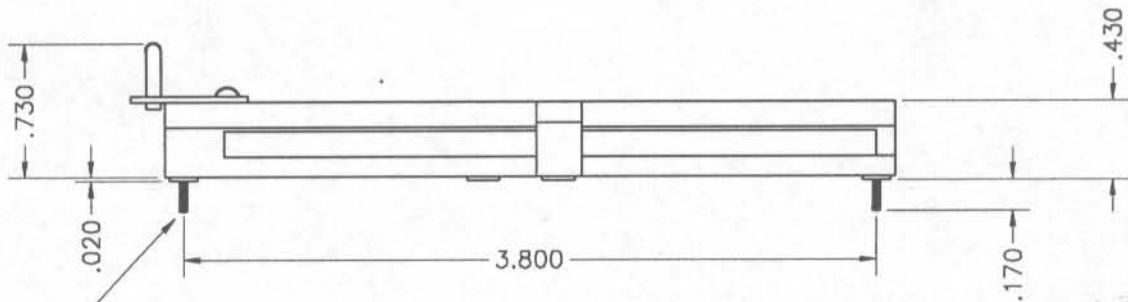
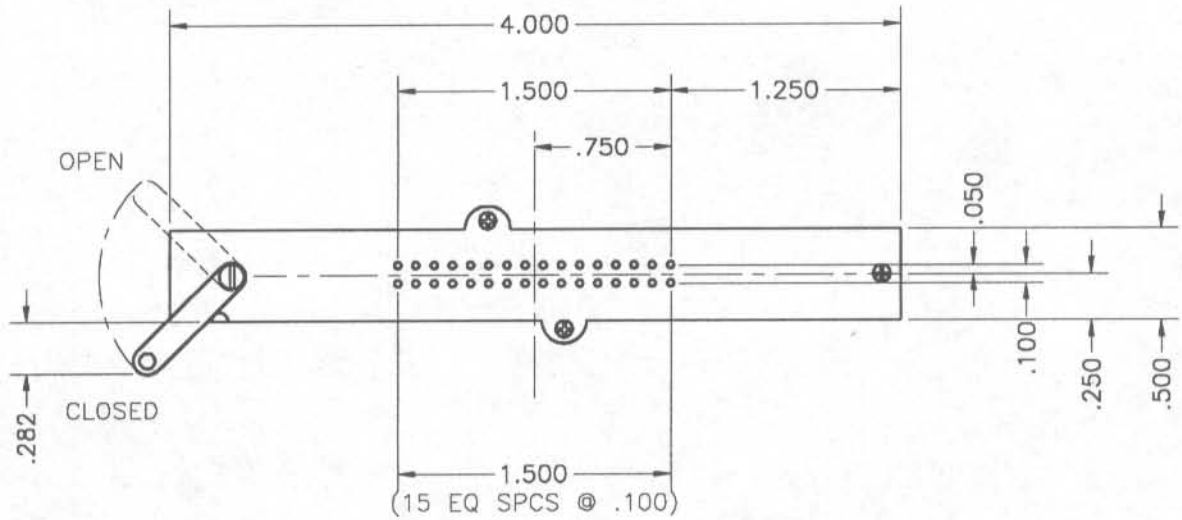


3532 Series

ZIF Socket

032-3532-001A



This series is designed for in-line packages, with either square or staggered device lead patterns.

Max. working area: .40" x 3.20"
 Min. lead length: .110"
 Lead size accepted: .012"-.018"

Physical

Insulation material: Glass Reinforced; Polysulfone
 Flammability: UL 94V-0
 Color: Green

Contact (.130" lg x .010" x .028")
 Material: Beryllium Copper
 Plating: 30 μ (.76 μ m) Gold-MIL-G-45204
 Type II, Grade C over 50 μ (1.3 μ m)
 Sulfamate Nickel per QQ-N-290A

Electrical

Current Rating: 1 Amp
 Insulation Resistance: $>1 \times 10^9 \Omega$ at 500Vdc
 Withstanding Voltage: 1000 Vrms at Sea Level

Environmental

Temperature Rating Operational: -67°F (-55°C) to +302°F (+150°C)

Consult factory or your local TMC Distributor for design and pricing.

Phone: 1-800-955-4707