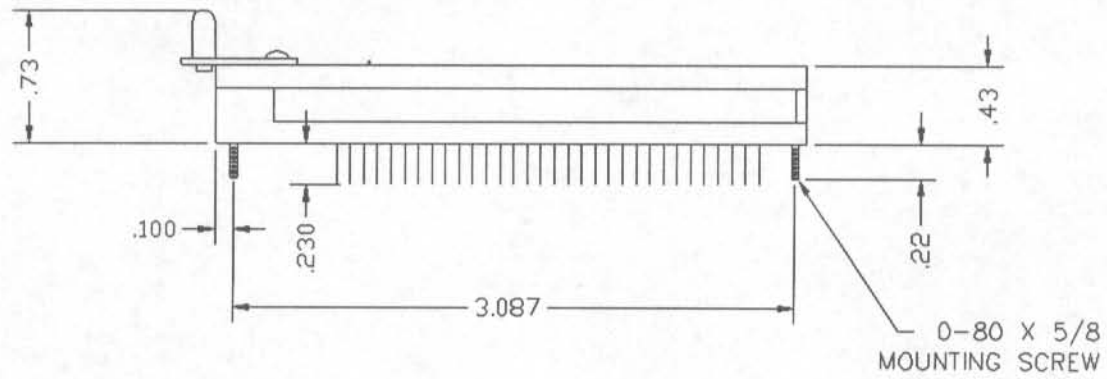
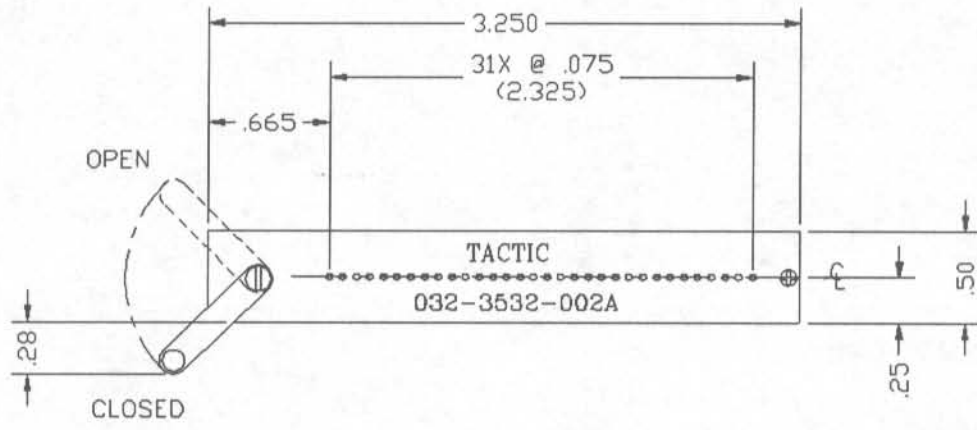




# 3532 Series

032-3532-002A



This series is designed for longer in-line packages, with either square or staggered device lead patterns.

Max. working area: .40" x 6.00"  
 Min. lead length: .110"  
 Lead size accepted: .018" - .022"

**Physical**

Insulation material: Glass Reinforced; Polysulfone  
 Flammability: UL 94V-0  
 Color: Green

Contact (.130" lg x .010" x .028")  
 Material: Beryllium Copper  
 Plating: 30μ (.76μm) Gold-MIL-G-45204  
 Type II, Grade C over 50μ (1.3μm)  
 Sulfamate Nickel per QQ-N-290A

**Electrical**

Current Rating: 1 Amp  
 Insulation Resistance: >1x10<sup>9</sup>Ω at 500Vdc  
 Withstanding Voltage: 1000 Vrms at Sea Level

**Environmental**

Temperature Rating Operational: -67°F(-55°C) to +302°F(+150°C)

*Consult factory or your local Tactic Distributor for design and pricing.  
 Phone: 1-800-955-4707*