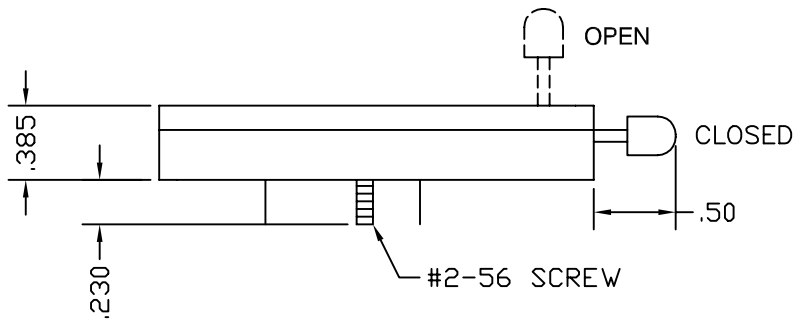
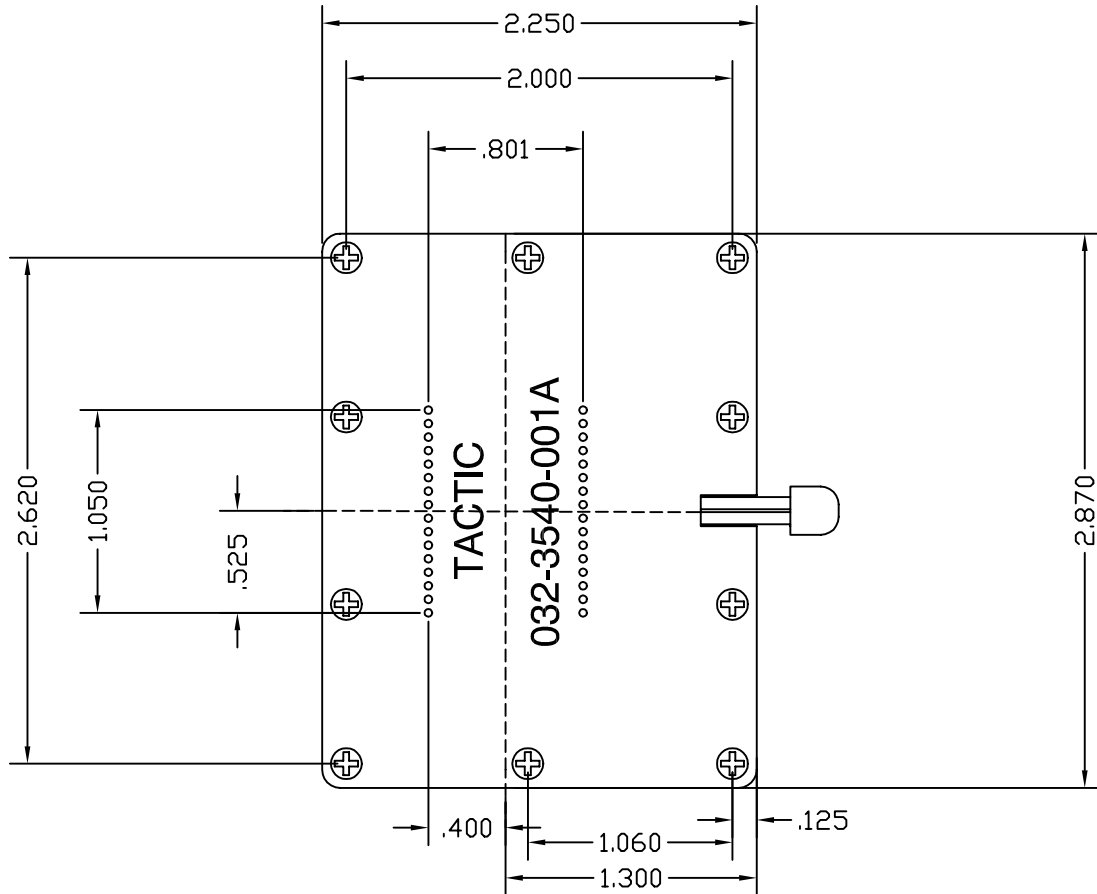




3540 Series

032-3540-001A



Physical	Insulation material: Glass Reinforced Polysulfone	Contact Tail (.010" x .018" x .230 lg) Material: Beryllium Copper
	Flammability: UL 94V-0	Plating: 30 μ "(.76 μ m)Gold-MIL-G-45204
	Color: Green	Type II, Grade C over 50 μ "(1.3 μ m) Sulfamate Nickel per QQ-N-290A

Electrical Current Rating: 1 Amp
 Insulation Resistance: >1x10⁹ Ω at 500Vdc
 Withstanding Voltage: 1000 Vrms at Sea Level

Environmental Temperature Rating Operational: -67°F(-55°C) to +302°F(+150°C)

Consult factory or your local TACTIC Distributor for design and pricing.
 Phone: 1-800-955-4707 FAX: 1-972-867-6669