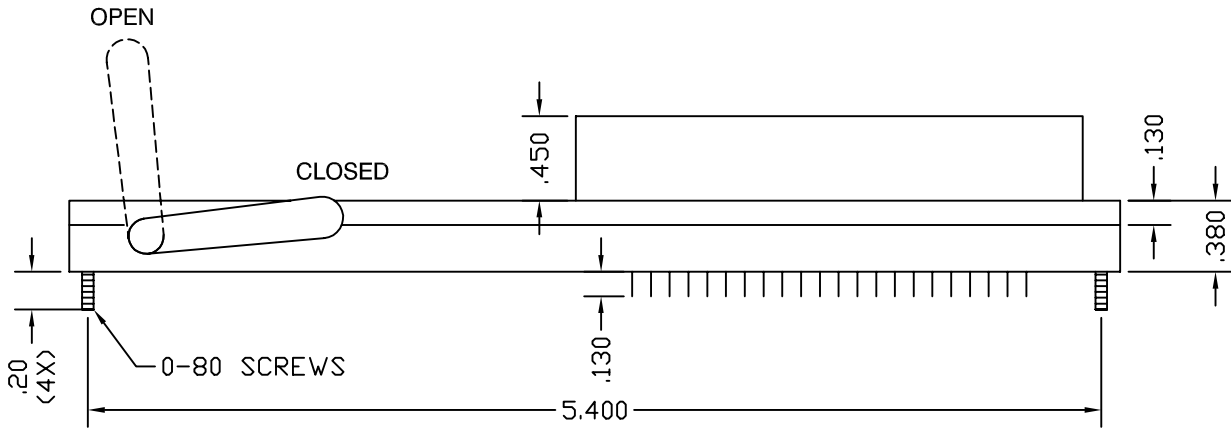
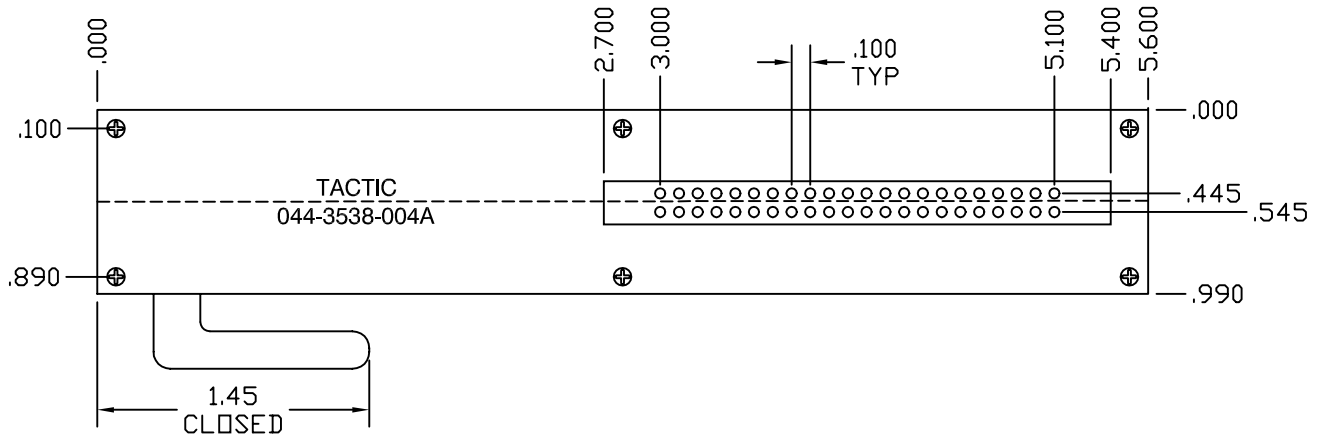




# 3538 Series

# 044-3538-004A



This series is designed for long in-line packages that are wider than two rows, with either square or staggered device lead patterns.

Max. working area: .70" x 4.9"  
 Min. lead length: .110"  
 Lead size accepted: .025" SQ

**Physical Insulation**  
 material: Glass Reinforced; Polysulfone  
 Flammability: UL 94V-0  
 Color: Green

Contact (.130" lg x .010" x .028")  
 Material: Beryllium Copper  
 Plating: 30μ (.76μm) Gold-MIL-G-45204  
 Type II, Grade C over 50μ (1.3μm)  
 Sulfamate Nickel per QQ-N-290A

**Electrical** Current Rating: 1 Amp  
 Insulation Resistance: >1x10<sup>9</sup>Ω at 500Vdc  
 Withstanding Voltage: 1000 Vrms at Sea Level

**Environmental** Temperature Rating Operational: -67°F (-55°C) to +302°F (+150°C)

*Consult factory or your local TACTIC Distributor for design and pricing.*  
 Phone: 1-800-955-4707 FAX: 1-972-867-6669