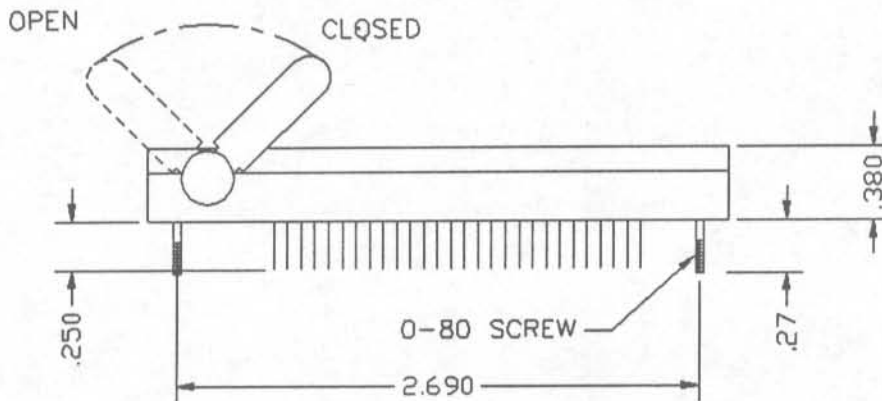
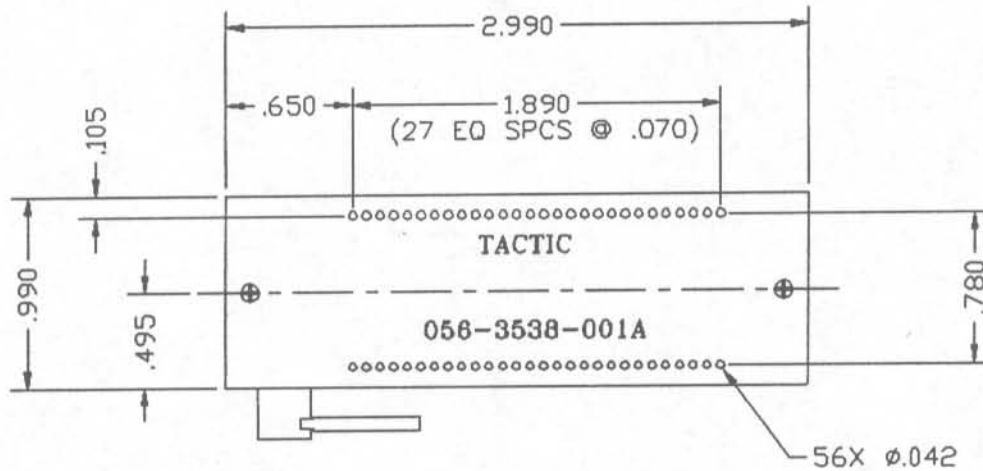




3538 Series

056-3538-001A



This series is designed for long in-line packages that are wider than two rows, with either square or staggered device lead patterns.

Max. working area: .70" x 2.2"
 Min. lead length: .110"
 Lead size accepted: .012" x .030"

Physical Insulation material: Glass Reinforced; Polysulfone
 Flammability: UL 94V-0
 Color: Green

Contact (.250" lg x .010" x .018")
 Material: Beryllium Copper
 Plating: 30 μ " (.76 μ m) Gold-MIL-G-45204
 Type II, Grade C over 50 μ " (1.3 μ m)
 Sulfamate Nickel per QQ-N-290A

Electrical Current Rating: 1 Amp
 Insulation Resistance: >1x10⁹ Ω at 500Vdc
 Withstanding Voltage: 1000 Vrms at Sea Level

Environmental Temperature Rating Operational: -67°F(-55°C) to +302°F(+150°C)

*Consult factory or your local TACTIC Distributor for design and pricing.
 Phone: 1-800-955-4707*