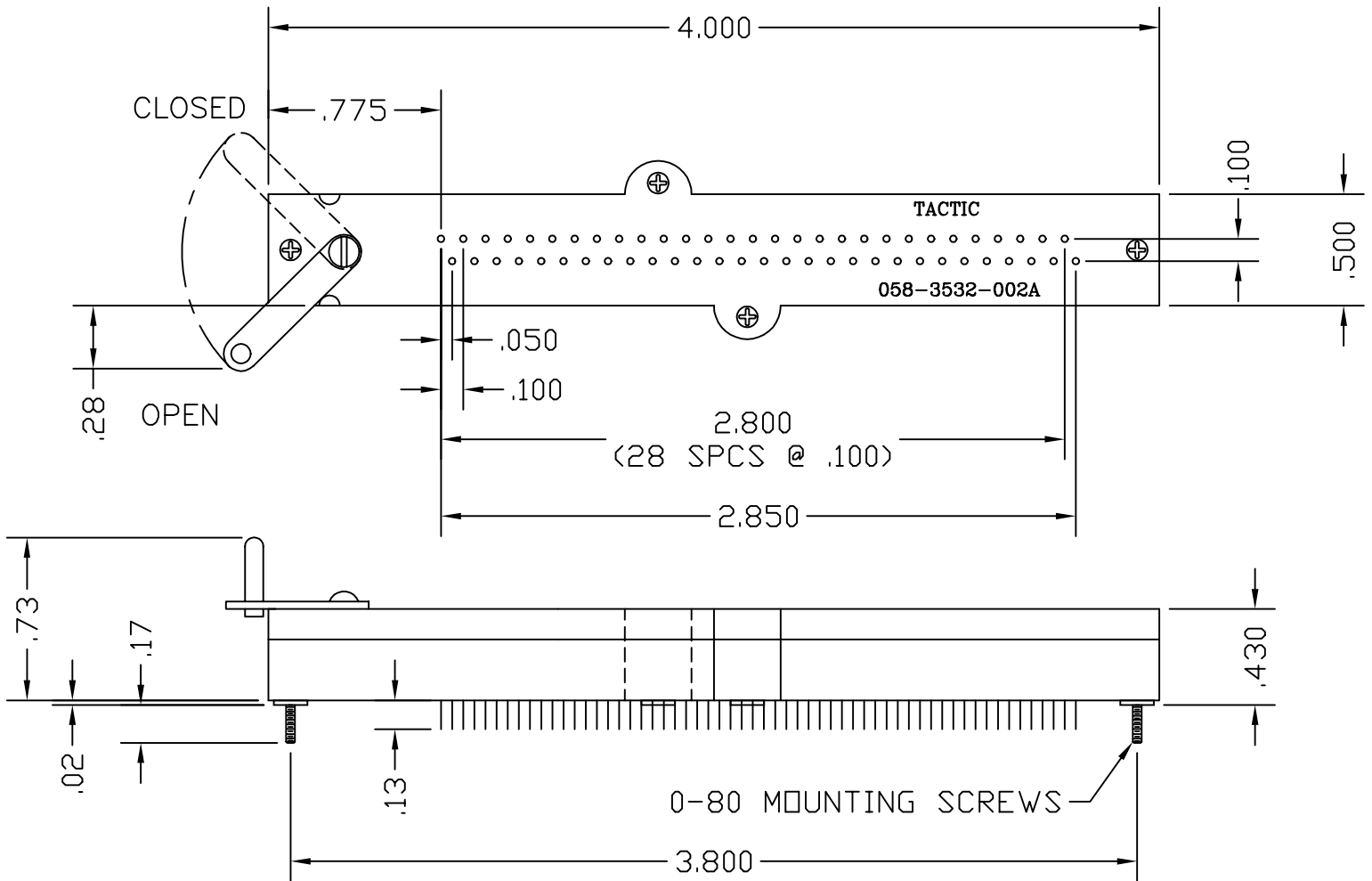




3532 Series ZIF Socket 058-3532-002A



This series is designed for in-line packages, with either square or staggered device lead patterns.

Max. working area: .40" x 3.20"
 Min. lead length: .110"
 Lead size accepted: .018 dia.

Physical

Insulation material: Glass Reinforced; Polysulfone
 Flammability: UL 94V-0
 Color: Green

Contact (.13" lg x .010" x .028")
 Material: Beryllium Copper
 Plating: 30μ (.76μm) Gold-MIL-G-45204 Type II, Grade C over 50μ (1.3μm) Sulfamate Nickel per QQ-N-290A

Electrical

Current Rating: 1 Amp
 Insulation Resistance: >1x10⁹Ω at 500Vdc
 Withstanding Voltage: 1000 Vrms at Sea Level

Environmental

Temperature Rating Operational: -67°F(-55°C) to +302°F(+150°C)

Consult factory or your local TMC Distributor for design and pricing.

Phone: 1-800-955-4707

FAX: 1-972-867-6669