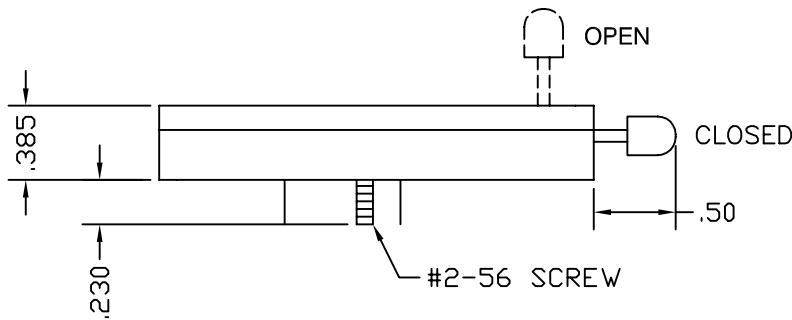
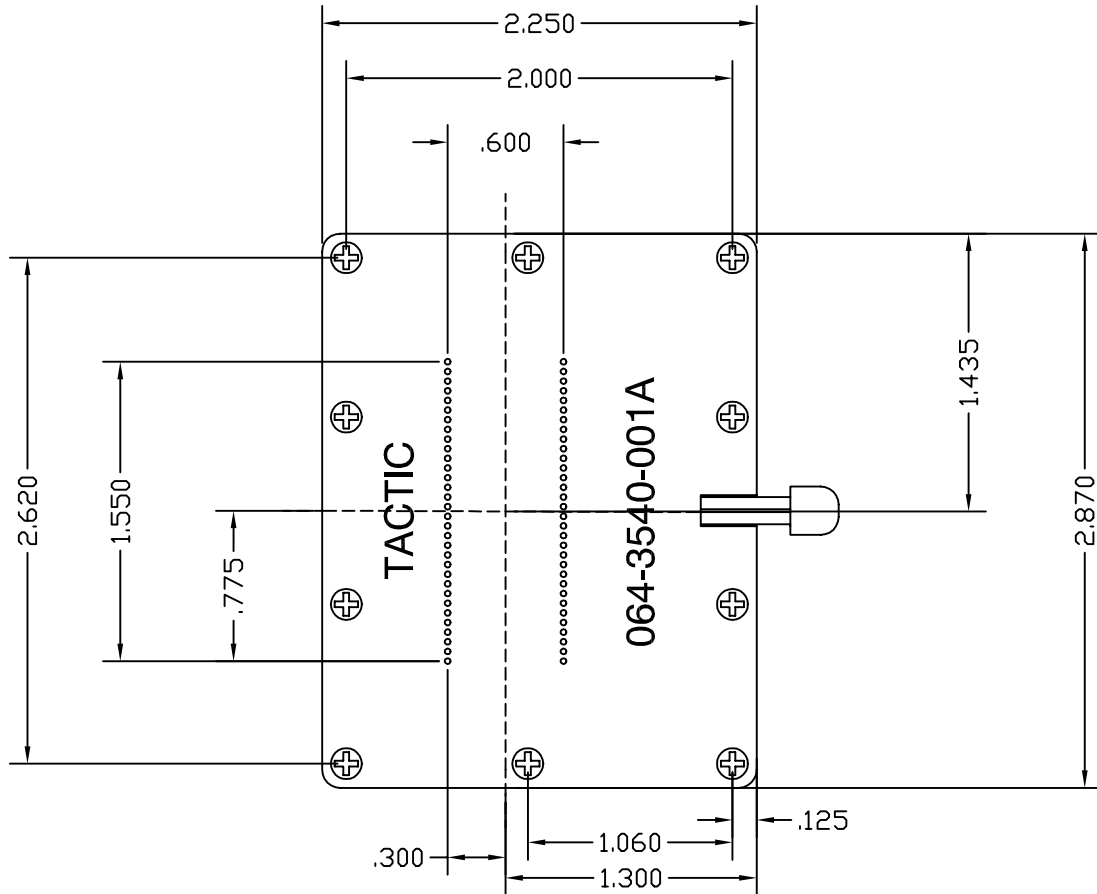




3540 Series

064-3540-001A



<b>Physical</b>	Insulation material: Glass Reinforced Polysulfone	Contact Tail (.010" x .018" x .230 lg) Material: Beryllium Copper
	Flammability: UL 94V-0	Plating: 30 $\mu$ "(.76 $\mu$ m)Gold-MIL-G-45204
	Color: Green	Type II, Grade C over 50 $\mu$ "(1.3 $\mu$ m)
		Sulfamate Nickel per QQ-N-290A

**Electrical** Current Rating: 1 Amp  
 Insulation Resistance: >1x10<sup>9</sup> $\Omega$  at 500Vdc  
 Withstanding Voltage: 1000 Vrms at Sea Level

**Environmental** Temperature Rating Operational: -67°F(-55°C) to +302°F(+150°C)

Consult factory or your local TACTIC Distributor for design and pricing.  
 Phone: 1-800-955-4707 FAX: 1-972-867-6669