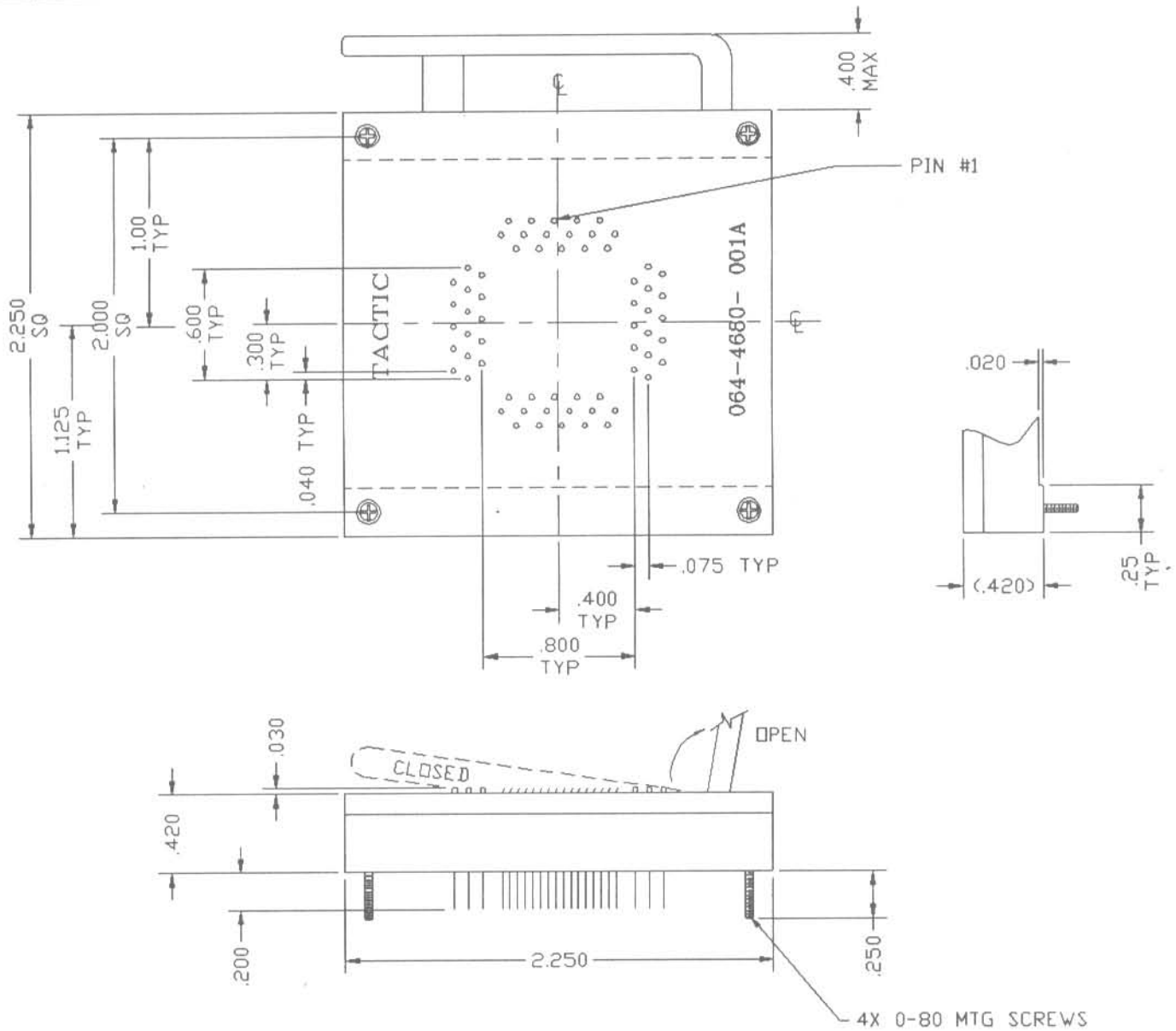




4680 Series 064-4680-001A



Physical Insulation material: Glass Reinforced; Polysulfone
 Flammability: UL 94V-0
 Color: Green

Contact (.200" lg x .010" x .018")
 Material: Beryllium Copper
 Plating: 30μ (.76μm) Gold-MIL-G-45204
 Type II, Grade C over 50μ (1.3μm)
 Sulfamate Nickel per QQ-N-290A

Electrical Current Rating: 1 Amp
 Insulation Resistance: >1x10⁹Ω at 500Vdc
 Withstanding Voltage: 1000 Vrms at Sea Level

Environmental Temperature Rating Operational: -67°F(-55°C) to +302°F(+150°C)
 Consult factory or your local TACTIC Distributor for design and pricing.
 Phone: 1-800-955-4707