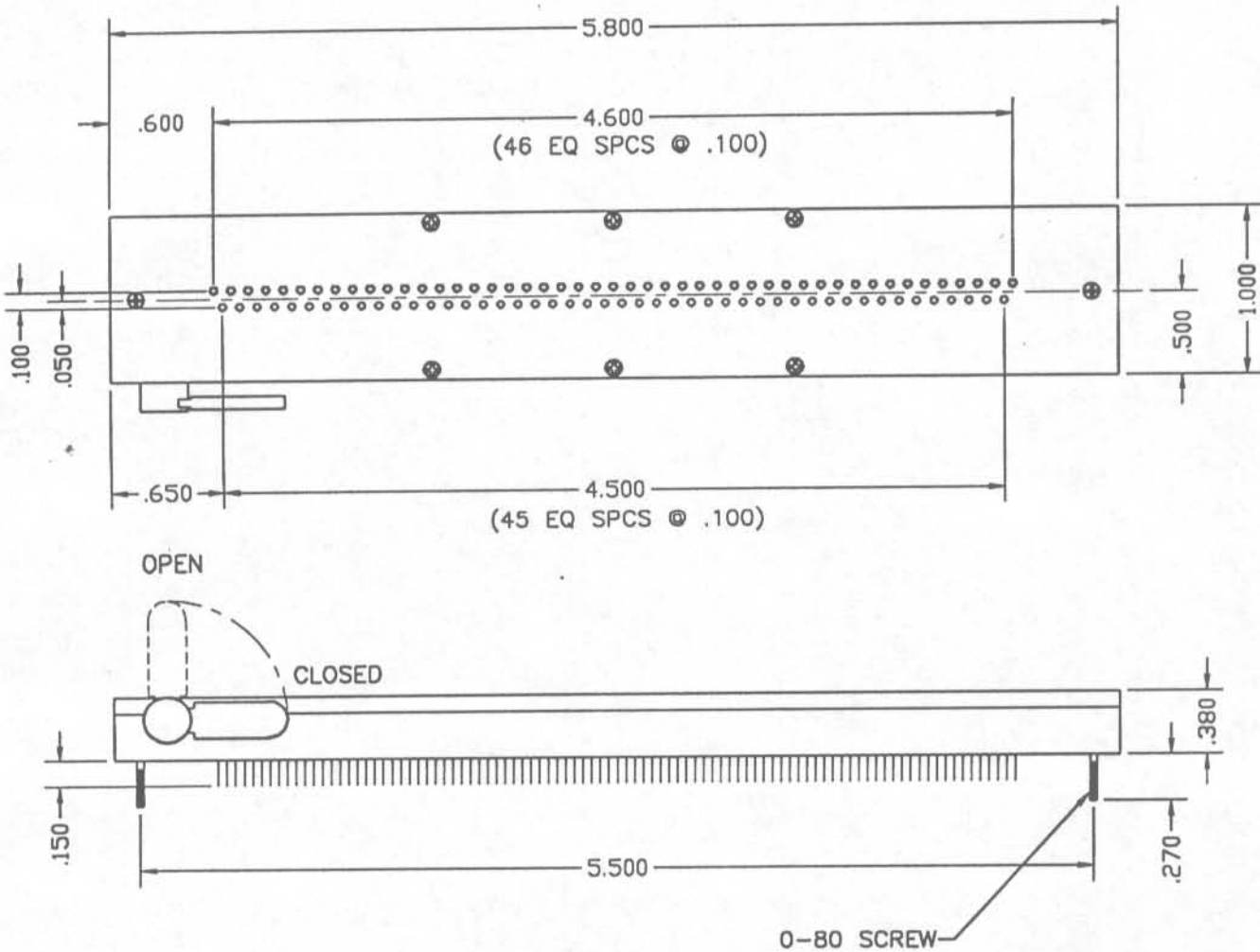


3538 Series

ZIF Socket

093-3538-001A



This series is designed for long in-line packages that are wider than two rows, with either square or staggered device lead patterns.

Max. working area: .70" x 6.2"  
Min. lead length: .110"  
Lead size accepted: .012"-.018"

**Physical Insulation**  
material: Glass Reinforced; Polysulfone  
Flammability: UL 94V-0  
Color: Green

Contact (.130" lg x .010" x .028")  
Material: Beryllium Copper  
Plating: 30 $\mu$ " (.76 $\mu$ m) Gold-MIL-G-45204  
Type II, Grade C over 50 $\mu$ " (1.3 $\mu$ m)  
Sulfamate Nickel per QQ-N-290A

**Electrical** Current Rating: 1 Amp  
Insulation Resistance:  $>1 \times 10^9 \Omega$  at 500Vdc  
Withstanding Voltage: 1000 Vrms at Sea Level