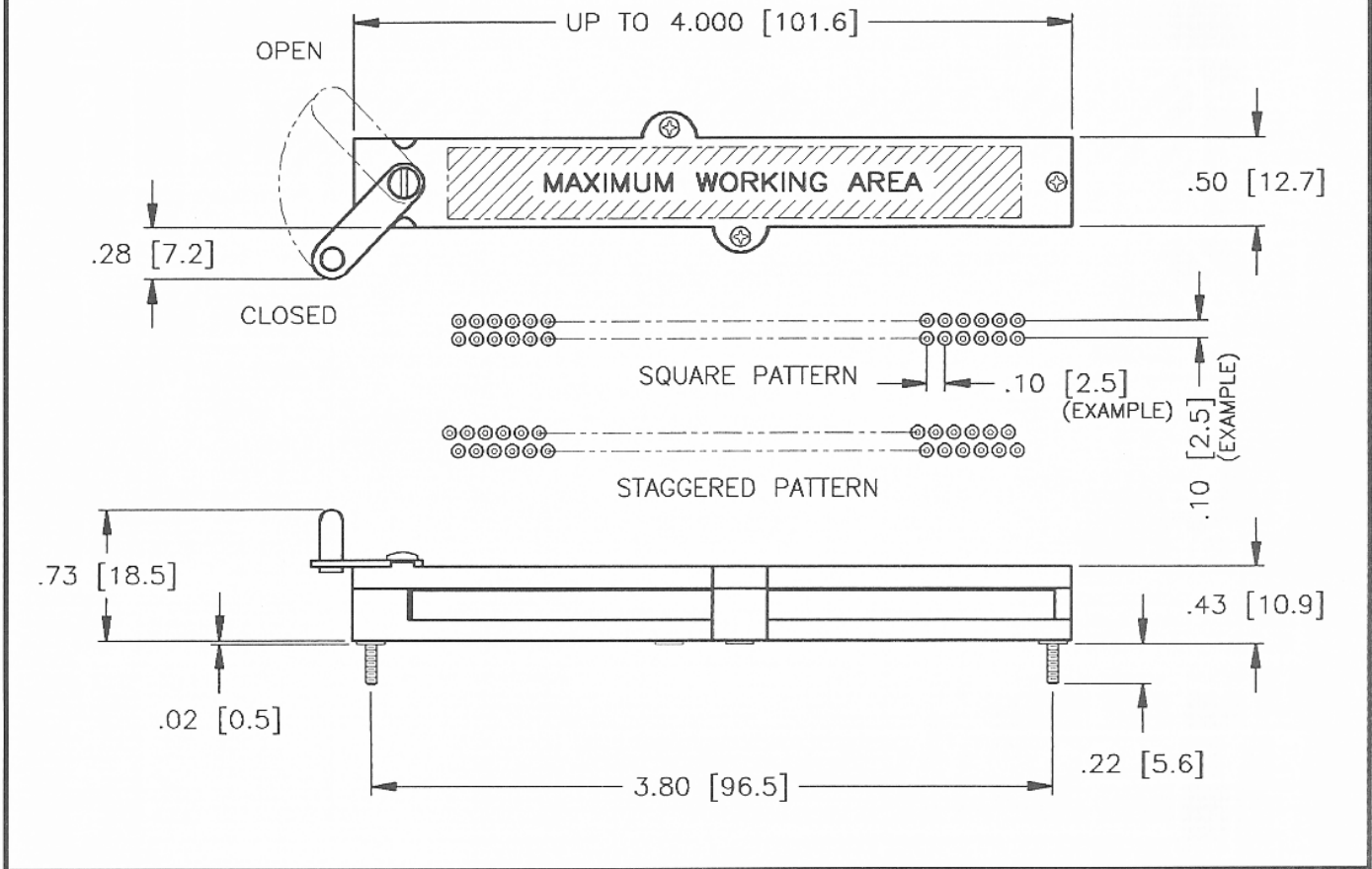


# 3532 Series ZIF Socket

ACTUAL SIZE



This series is designed for in-line packages, with either square or staggered device lead patterns.

Maximum working area: .40" x 3.20"  
 Minimum lead length: .110"  
 Lead size accepted: .012" - .018"

<b>Physical</b>	<b>Insulation</b>	<b>Contact</b> (.130" long x .010" x .028")
	material: Glass Reinforced; Polysulfone	Material: Beryllium Copper
	Flammability: UL 94V-0	Plating: 30μ" (.76μm) Gold - MIL-G-45204
	Color: Green	Type II, Grade C over 50μ" (1.3μm) Sulfamate Nickel per QQ-N-290A

<b>Electrical</b>	Current Rating: 1 Amp
	Insulation Resistance: > 1x10 <sup>9</sup> Ω at 500 Vdc
	Withstanding Voltage: 1000 Vrms at Sea Level

<b>Environmental</b>	Temperature Rating Operational: -67°F (-55°C) to +302°F (+150°C)
----------------------	--

Consult factory or your local **TMC** Distributor for design and pricing.

**Phone: 1-800-955-4707**