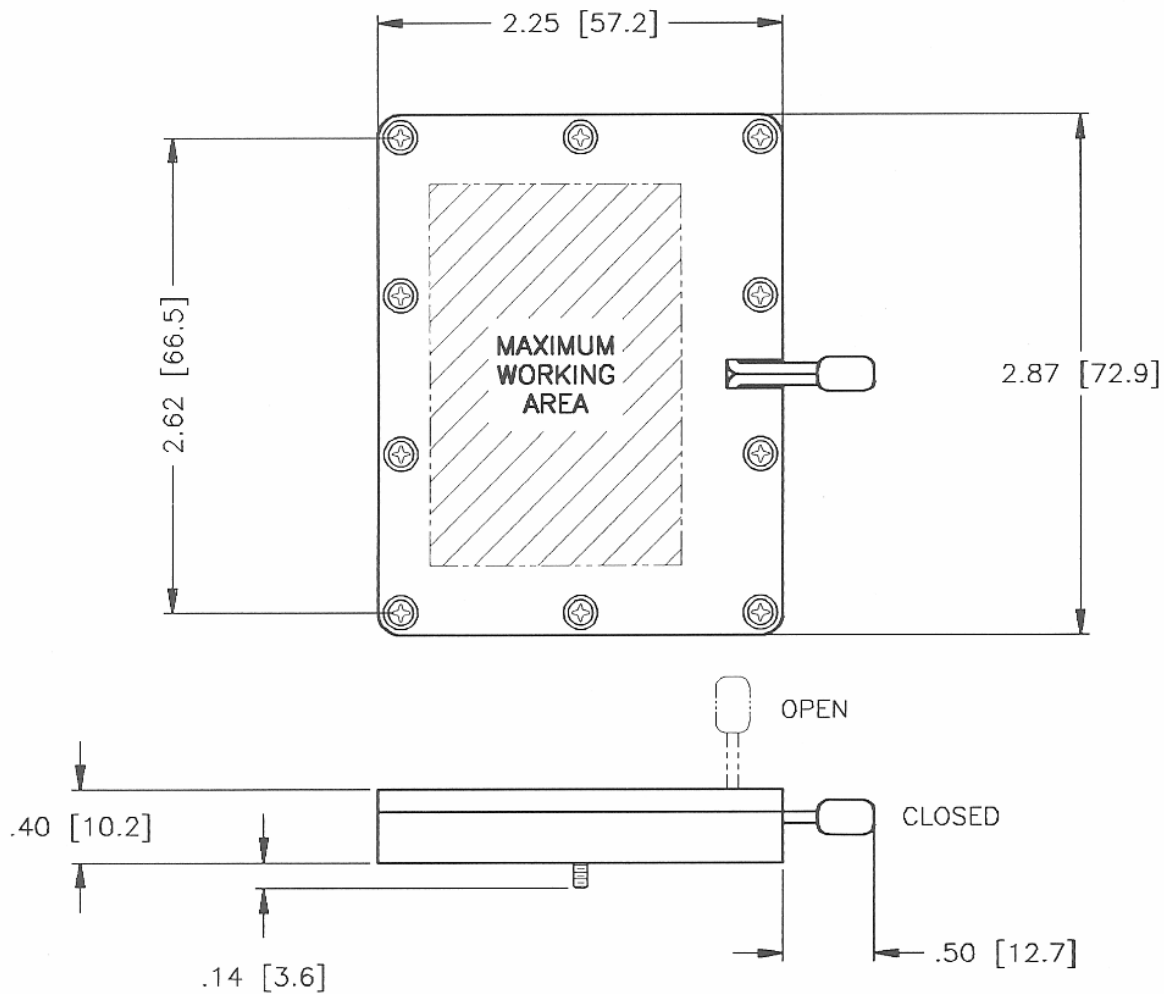


3540 Series ZIF Socket



This series is designed for any number of pinned packages with 1,2,3 or 4 sides, and in-line, square, or round patterns.

Maximum working area: 1.4" x 2.1"
 Minimum lead length: .100"
 Lead size accepted: .012"-.018"

Physical	Insulation material: Glass Reinforced; Polysulfone	Contact (.130" long x .010" x .028")
	Flammability: UL 94V-0	Material: Beryllium Copper
	Color: Green	Plating: 30 μ " (.76 μ m) Gold - MIL-G-45204
		Type II, Grade C over 50 μ " (1.3 μ m) Sulfamate Nickel per QQ-N-290A

Electrical	Current Rating: 1 Amp
	Insulation Resistance: > 1x10 ⁹ Ω at 500 Vdc
	Withstanding Voltage: 1000 Vrms at Sea Level

Environmental	Temperature Rating Operational: -67°F (-55°C) to +302°F (+150°C)
----------------------	--

Consult factory or your local TMC Distributor for design and pricing.

Phone: 1-800-955-4707